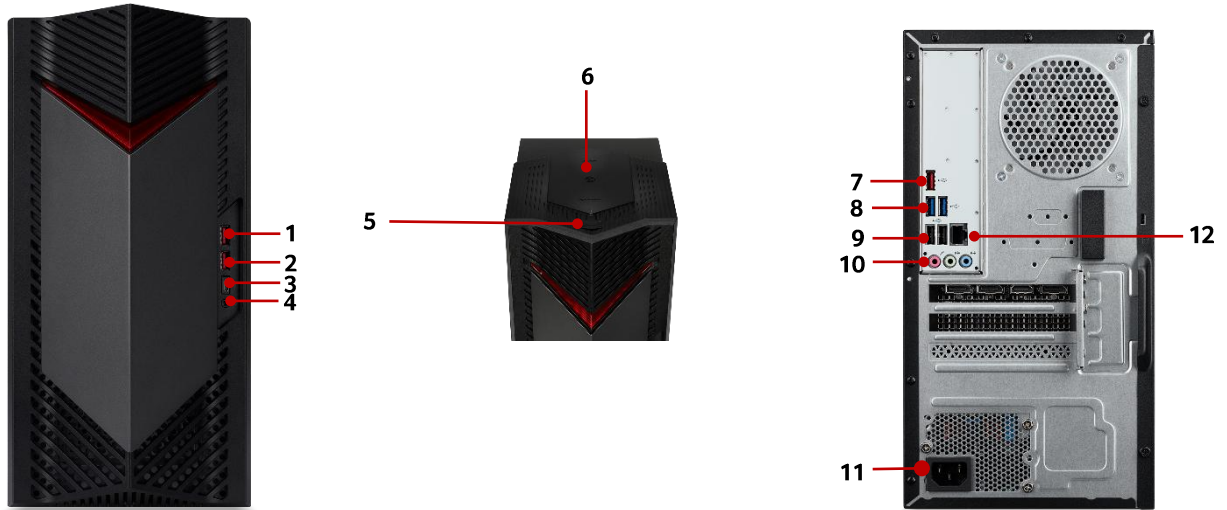


*acer*



**NITRO 5**



<b>Product views</b>	<ol style="list-style-type: none"> <li>1. USB 3.2 Gen 2 (10 Gbps) Type-A port</li> <li>2. USB 3.2 Gen 2 (10 Gbps) Type-A port</li> <li>3. USB 3.2 Gen 2 (10 Gbps) Type-C™ port</li> <li>4. Headset/speaker jack</li> <li>5. Power button</li> <li>6. Wireless charger</li> </ol>	<ol style="list-style-type: none"> <li>7. USB 3.2 Gen 2 (10 Gbps) Type-A port</li> <li>8. Two USB 3.2 Gen 1 (5 Gbps) Type-A ports</li> <li>9. Two USB 2.0 (480 Mbps) Type-A ports</li> <li>10. Audio jacks</li> <li>11. Power connector</li> <li>12. Ethernet (RJ-45) port</li> </ol>
<b>Operating system</b>	UEFI Shell	
<b>CPU and chipset</b>	<b>Intel® Core™ Ultra 5 processor 225F</b> Chipset: Intel® B860 Chipset	
<b>Memory</b>	16 GB DDR5 5600 MHz UDIMM <ul style="list-style-type: none"> <li>● Up to 32 GB of Dual-channel DDR5 5600 MHz</li> </ul>	
<b>Storage</b>	<b>Hard disk drive</b> <ul style="list-style-type: none"> <li>● 1024 GB M.2 2280 PCI-e Gen4 SSD</li> </ul>	
<b>Graphics</b>	<b>NVIDIA® GeForce® RTX™ 5050 8GB GDDR6</b>	
<b>Audio</b>	DTS:X® Ultra	
<b>Communication</b>	<b>WLAN</b> <ul style="list-style-type: none"> <li>● 802.11ax/ac/a/b/g/n, Wi-Fi 6E and Bluetooth® 5.3</li> </ul> <b>LAN</b> <ul style="list-style-type: none"> <li>● Realtek® 8118AS Dragon Gigabit Ethernet</li> </ul>	
<b>Expansion slot(s)</b>	<ul style="list-style-type: none"> <li>● PCIe x16 slot(s): 1</li> <li>● M.2 slot (for SSD): 2</li> <li>● M.2 slot (for WLAN): 1</li> </ul>	
<b>Dimensions</b>	175 (W) x 386 (D) x 392 (H) mm (6.89 x 15.2 x 15.43 inches)	
<b>Power supply and adapter</b>	<b>Power supply</b> <ul style="list-style-type: none"> <li>● 500 W single-rail 12 V PFC (EuP), auto-sensing, 80PLUS Platinum, TFX, TCO10.0</li> </ul>	
<b>Windows Desktop Apps</b>	<b>In-House</b> <ul style="list-style-type: none"> <li>● Acer Care Center</li> <li>● Acer Product Registration</li> <li>● Acer User Experience Program Framework</li> <li>● Quick Access</li> <li>● Storage Utilities</li> </ul> <b>Search</b> <ul style="list-style-type: none"> <li>● NitroSense</li> </ul>	<b>Lifestyle</b> <ul style="list-style-type: none"> <li>● Intel® Unison™</li> </ul> <b>Games</b> <ul style="list-style-type: none"> <li>● Forge of Empires</li> <li>● Google Play Games</li> <li>● PLANET9 Stub</li> </ul>
<b>System compliance</b>	RoHS	
<b>Options and accessories</b>	<ul style="list-style-type: none"> <li>● USB keyboard and mouse</li> <li>● Wireless (2.4 GHz RF) keyboard and mouse</li> <li>● Wireless charging (Max. output power: 10 W)</li> <li>● 3 YEARS WARRANTY</li> </ul>	
<b>Certification</b>	CE, FCC, CB	

As a phenomenon known to thin-film transistors (TFTs), liquid crystal displays (LCDs) commonly exhibit a small number of discoloration dots, as so-called "non-conforming pixels." This phenomenon is a limitation of TFT LCD technology, not a product defect, and as such is not covered by Acer's warranty. In a continuing effort to improve the quality of our products, information in this document is subject to change without notice. Images shown are only representations of some of the configurations available for this model. Availability may vary depending on region.

© 2023. All rights reserved.

Microsoft and Windows are registered trademarks of Microsoft Corporation.

Ultrabook, Celeron, Celeron Inside, Core Inside, Intel, Intel Logo, Intel Arc graphics, Intel Atom, Intel Atom Inside, IntelCore, Intel Inside, Intel Inside Logo, Intel vPro, Intel Evo, Pentium, Pentium Inside, vPro Inside, Xeon, Xeon Inside, Intel Agilix, Arria, Cyclone, Movidius, eASIC, Ethernet, Iris, Killer, MAX, Select Solutions, Si Photonics, Stratix, Tofino, and Intel Optane are trademarks of Intel Corporation or its subsidiaries.

**About Acer**

Founded in 1976, Acer is one of the world's top ICT companies with a presence in more than 160 countries. As Acer evolves with the industry and changing lifestyles, it is focused on enabling a world where hardware, software and services will fuse with one another, creating ecosystems and opening up new possibilities for consumers and businesses alike. Acer's 7,500 employees are dedicated to the research, design, marketing, sale, and support of products and solutions that break barriers between people and technology. Please visit [www.acer.com](http://www.acer.com) for more information.